



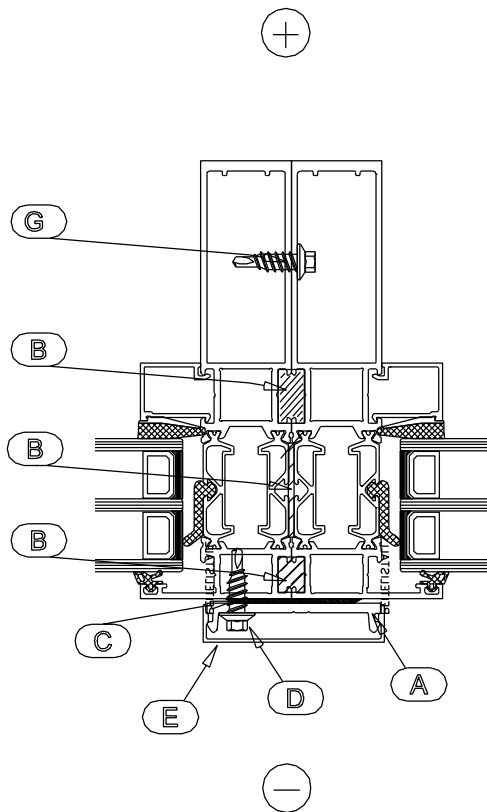
Piirustuksen sisältö

Pontti-window
Horizontal and vertical joint

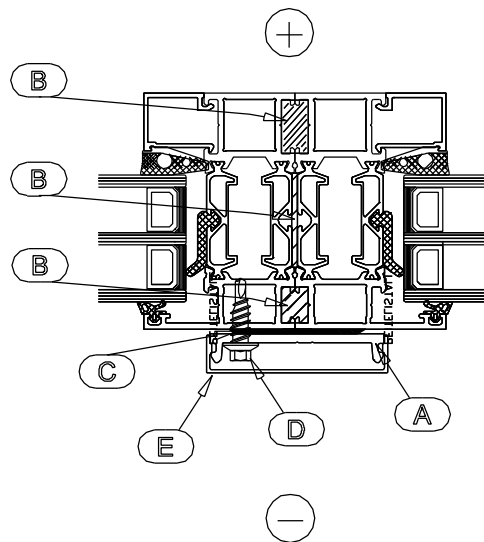
Päiväys	20.3.2017	Suhde	1:2,5	Tulostuskoko	A4	Piirustus nro	
---------	-----------	-------	-------	--------------	----	---------------	--

- A. Glazing beads
- B. Elastic sealant
- C. Butyl stripe
- D. Fastener e.g. self-drilling screw, 4.8 x 19, c/c600
- E. Cover stripe
- F. Mineral wool band
- G. Fastener e.g. self-drilling screw, 4.8 x 19, c/c400

Horizontal and vertical joint
profile depth 140 mm



Horizontal and vertical joint
profile depth 78 mm



Tikli Group Oy