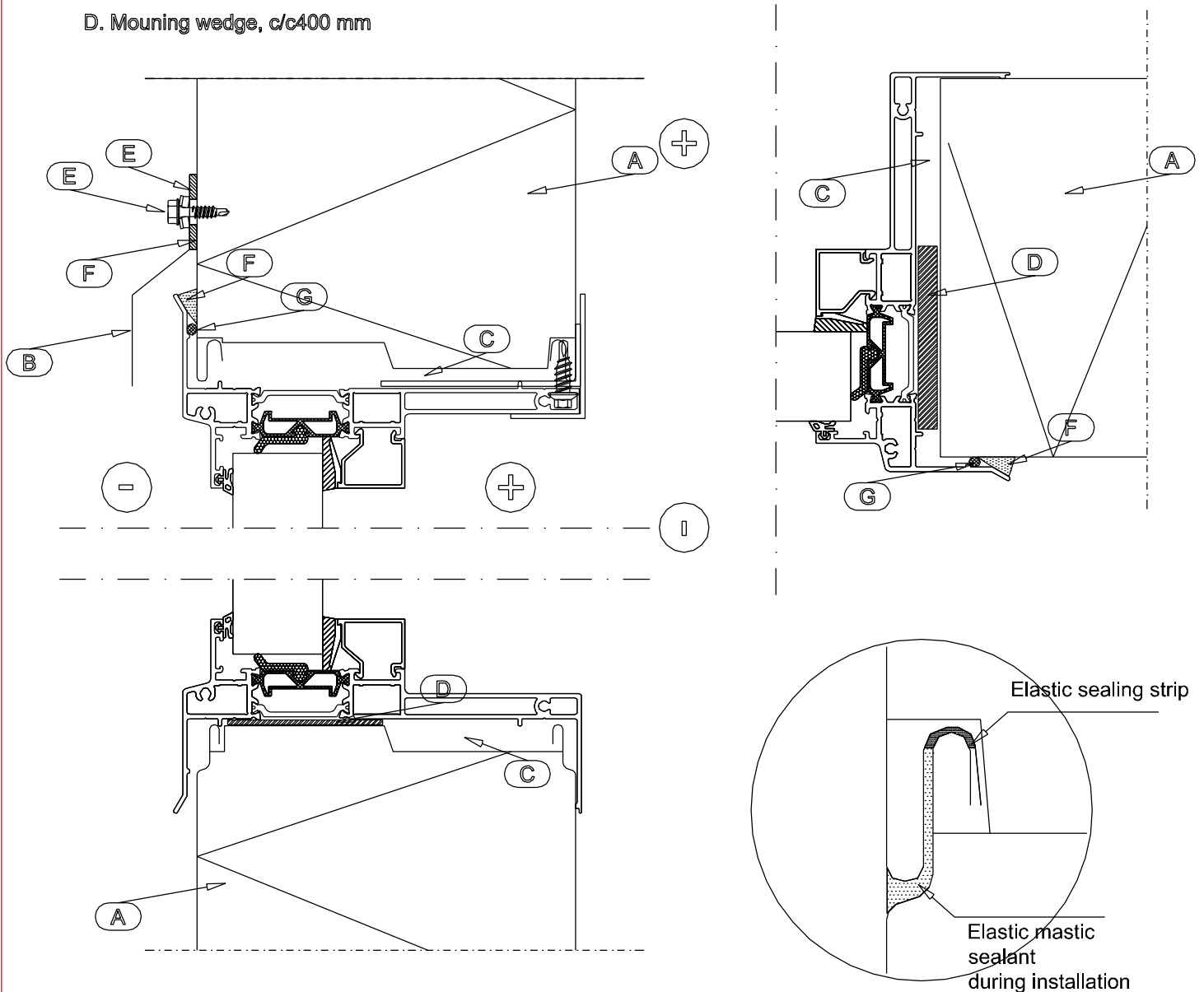




Päiväys	7.8.2017	Suhde	1:2,5	Tulostuskoko	A4	Piirustus nro	
---------	----------	-------	-------	--------------	----	---------------	--

Note! The post-installed window is installed after element installation.

- A. Sandwich panel
- B. Drip flashing
- C. Insulating foam
- D. Mouning wedge, c/c400 mm
- E. Flashing fastener, washer with sealing
- F. Elastic sealant
- G. EPDM-rubber sealing



Note! Be sure to seal the joint edge of the window-related elements during installation with an elastic sealing compound on the outside = 200 mm apart and on the inside 60 mm apart.